



ELECTRONIC TIMER

Model 6312

(For use only with PDL In-line Exhaust Fan Models 6401, 6501, 6601)

INSTALLATION INSTRUCTIONS

WIRING

Note: All wiring must be securely fixed and the supply cable must be a minimum of 1mm² in section. All wiring must comply with the current regulations.

IMPORTANT: Switch off mains supply before making any electrical connections.

INSTALLATION

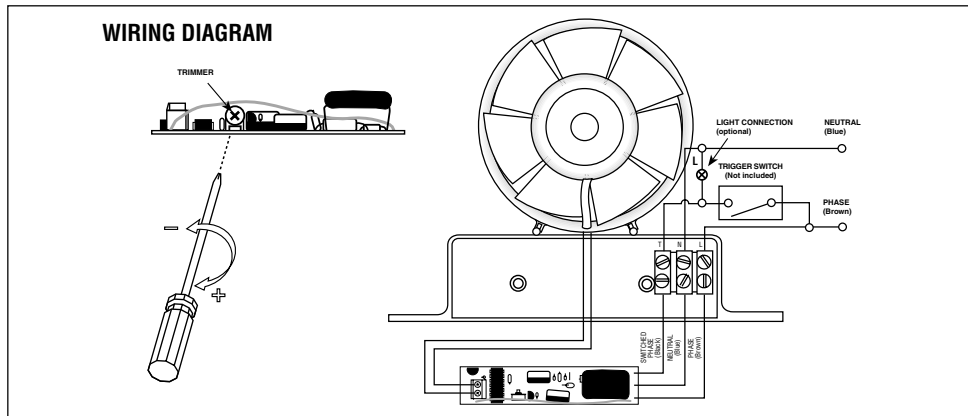
- 1 Remove the cover on the In-Line Exhaust Fan motor unit bracket.
- 2 Remove 2 motor wires from terminal block and re-connect to electronic board as shown in Wiring Diagram below.
- 3 Connect the remaining electronic board and mains supply wires to terminal block and trigger switch as shown in Wiring Diagram below. Ensure mains supply cable is fixed with the cable fastener.
- 4 Position electronic board into the motor unit bracket slots.
- 5 The timer can be pre-set from 3 to 20 minutes by adjusting the trimmer (**only adjust with power switched off**).
- 6 Replace the cover on the fan motor unit bracket.

NOTE: The fan will automatically start up 20 seconds after light or trigger switch is on and will continue to operate for the time pre-set after the light or trigger switch is turned off.

(Max. load of timer is 150 Watt).

GENERAL NOTE:

- The appliance is not intended for use by young or infirm persons without supervision.
- Young children should be supervised to ensure that they do not play with the appliance.



6312-ELECTRONIC-TIMER-PDL-0804-L

PDL ELECTRICAL PRODUCTS



This product is guaranteed for a period of two years from the date of purchase against defects in workmanship and materials (excluding broken elements in radiant heaters and lamps in fan/heat/light units). Defects will be rectified by replacement of the product purchased except where, in Schneider Electric's discretion, minor adjustments can be undertaken instead of replacement.

Where a product is replaced it shall be guaranteed for the balance of the original guarantee period. Schneider Electric will replace a product that is no longer available with another product to a value and with features Schneider Electric considers appropriate.

Defects occurring in the following instances are expressly excluded from this guarantee:

1. Power Surges;
2. Incorrect installation;
3. Electromagnetic interference;
4. Misuse, abuse, modification, or tampering with the product;

Schneider Electric is not responsible for the installation or removal of the product, freight forwarding charges, losses or damage in transit, or associated expenses.

If your Schneider Electric product fails to operate satisfactorily, please return it to the point where it was purchased.

To enable Schneider Electric to honour this guarantee you will need to produce satisfactory proof of purchase and this guarantee card.

Service outside the guarantee will be at your cost. Schneider Electric does not undertake that repair facilities or spare parts will be available for this product.

IMPORTANT: PLEASE RETAIN THIS GUARANTEE CARD

NAME: _____

ADDRESS: _____

POST CODE: _____

PURCHASED FROM: _____

SUBURB: _____

DATE OF PURCHASE: _____

NAME OF PRODUCT: _____

MODEL No: _____



New Zealand Head Office: PO Box 15 355, Auckland, New Zealand
Telephone +64-9-829 0490, Fax +64-9-829 0491
www.schneider-electric.co.nz

Australia Head Office: Locked Bag 5500, Baulkham Hills Business Centre,
NSW 2153, Australia
Telephone +61-2-9851 2800, Fax +61-2-9629 8340
www.schneider-electric.com.au



TWO YEAR WARRANTY

PDL/EP/2Y/W/0804/L